




# MEDIOJET 1PH

2kW (50Hz)

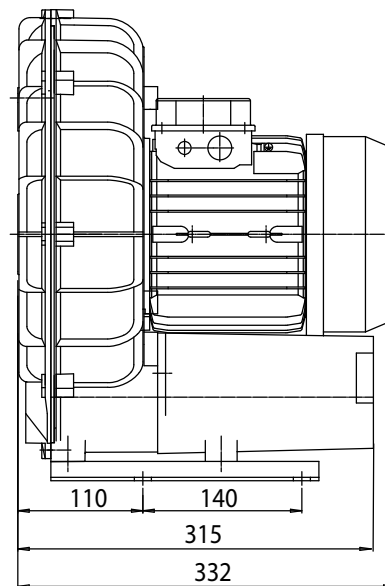
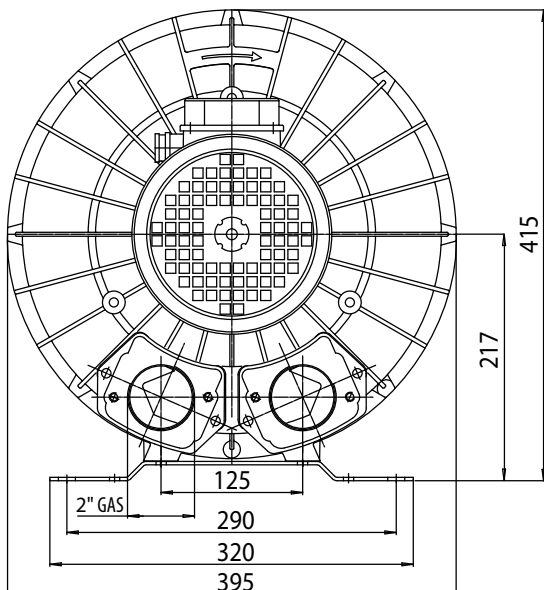
The standard side channel blowers/aspirators are designed to handle clean air up to a maximum of 40°C. Please contact us for special applications.

Motors construction conform with CEI 2-3 (1988) NORMS. ISOL. CL F PROT. IP 55, cCSAus certified

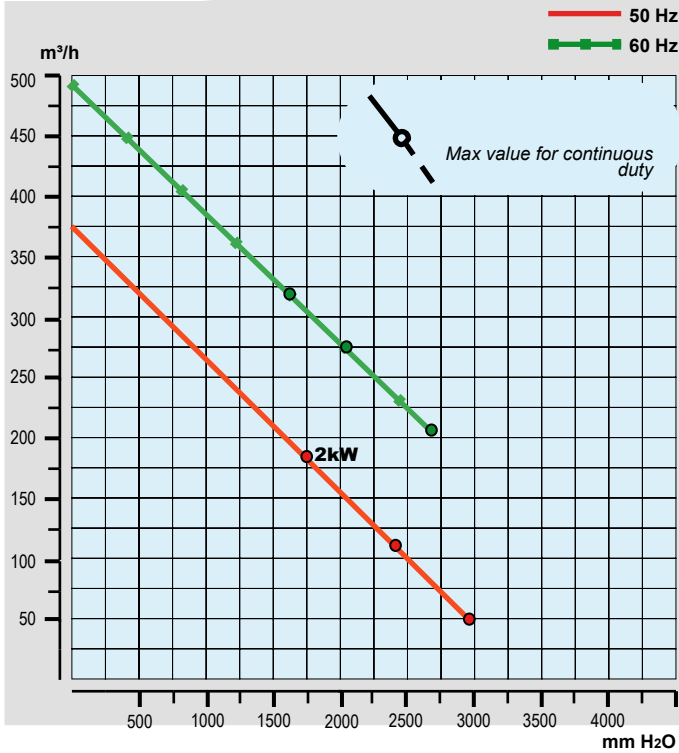
cCASus file nr. 242079 

	Item code	kW	V	Hz	absorbed AMPS	r.p.m.	max cont. duty S1 (mbar)	μF/V	dB (A)*	weight (Kg)
<b>SINGLE-PHASE</b>	061657	2	240	50	12.5	2750	-171 +161	50 / 450	71	34

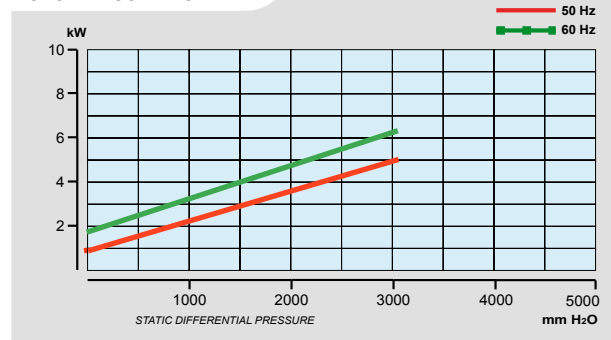
dimensions:



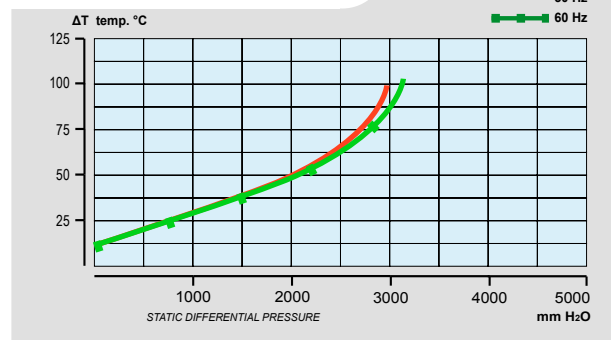
## VACUUM



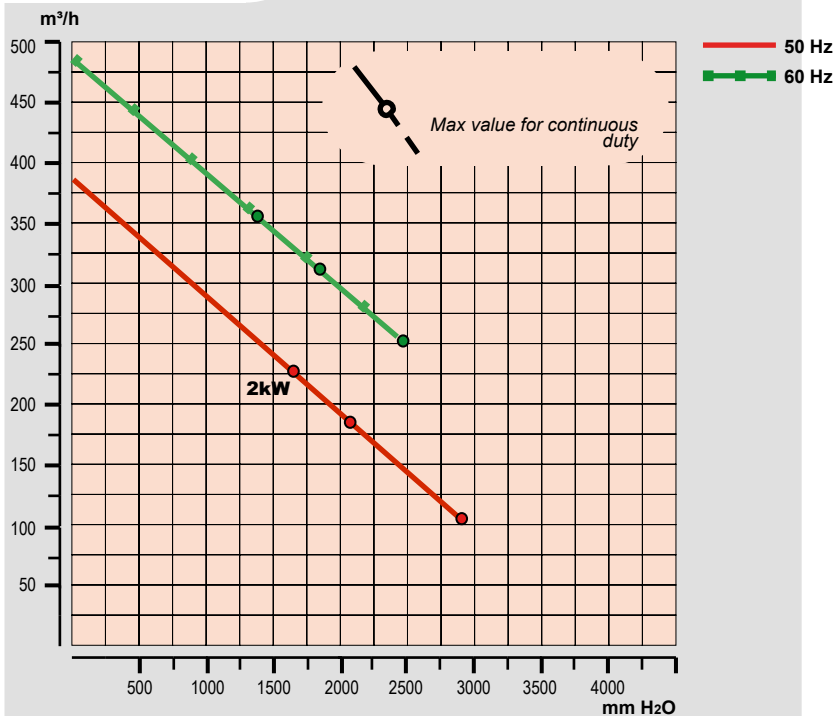
## MOTOR ABSORPTION



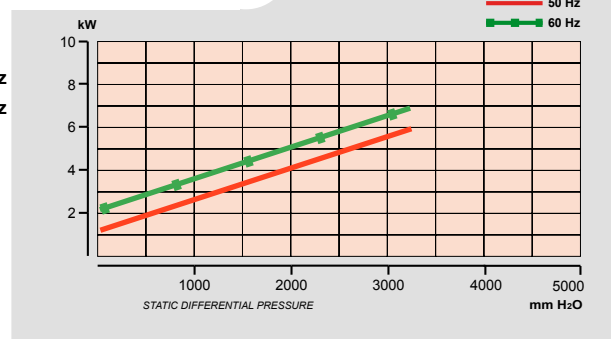
## AIR TEMPERATURE INCREASE



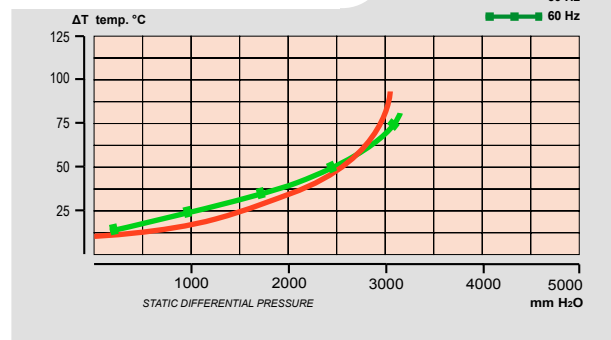
## PRESSURE



## MOTOR ABSORPTION



## AIR TEMPERATURE INCREASE



All data is intended as an indication and may be modified without prior notice.  
 The vacuum curve is valid for pumping air, with a temperature of 20°C at the inlet flange and with a pressure of 1013 mbar at the discharge port.  
 The pressure curve is valid for pumping air, with an average temperature of 20°C and 1013 mbar at the inlet flange.

l/min = m<sup>3</sup>/h · 16,667  
 CFM = m<sup>3</sup>/h · 0,588  
 mbar = mm H<sub>2</sub>O · 0,098  
 PSI = mm H<sub>2</sub>O · 0,00142